

Date	Revision
7.9.21	1

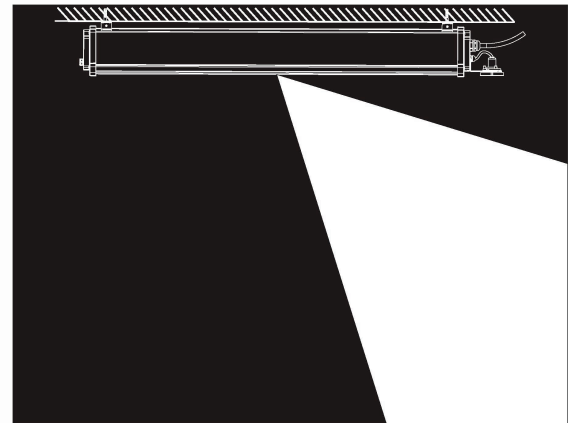
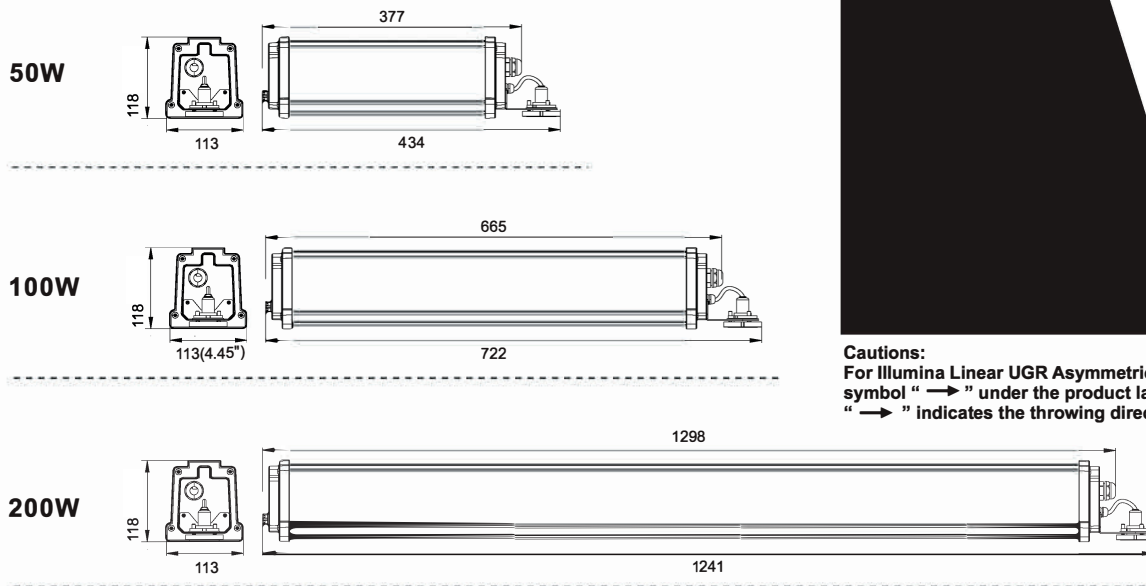
Read these instructions before installation and retain for future reference. This equipment should be installed by a competent electrician

### Important Information

We recommend that luminaires are installed by a qualified electrician ensuring the installation complies with current IEE wiring regulations BS7671:2018 & local building control.

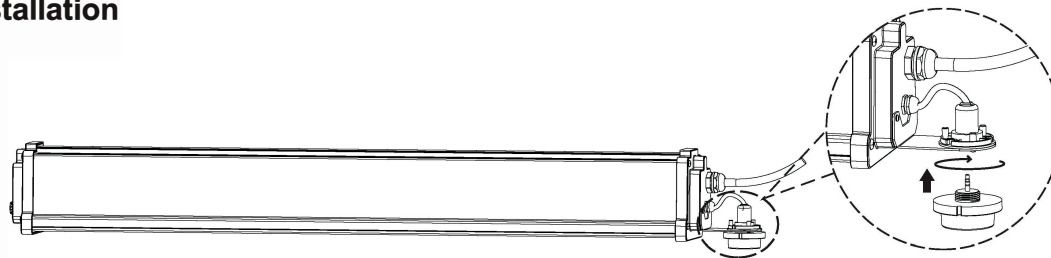
- BELL will not accept responsibility for any claims arising from a poor installation.
- The light source of this luminaire is not replaceable: when the light source reaches end of life, the whole luminaire must be replaced.
- Always switch off mains supply before installing.

### Physical Dimensions(mm)

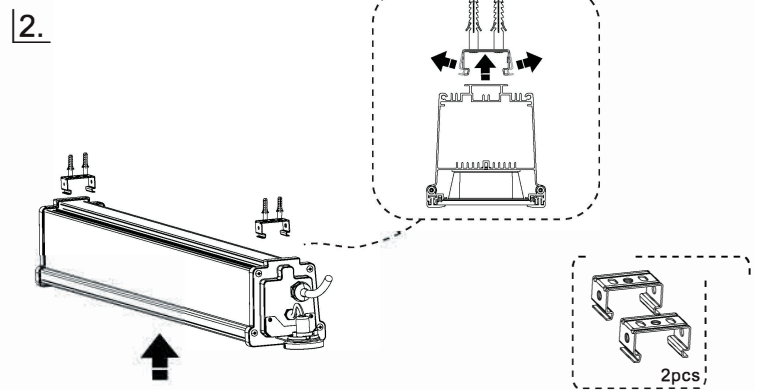
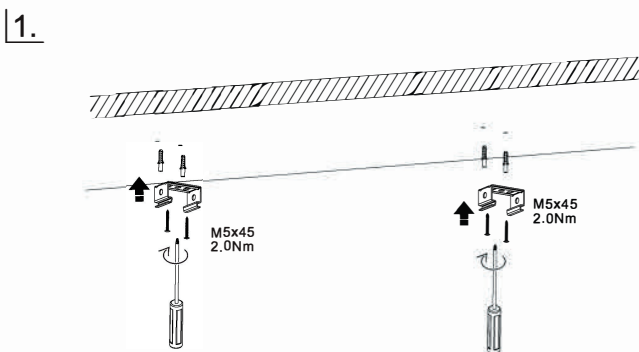


**Cautions:**  
For Illumina Linear UGR Asymmetric version, there is arrow symbol "→" under the product label. The arrow symbol "→" indicates the throwing direction of asymmetric lighting.

### Sensor installation



### A.Ceiling mounting



Technical Helpline +44 (0)1924 893380

[www.bellighting.co.uk](http://www.bellighting.co.uk)

British Electric Lamps Ltd, Unit A Foxbridge Way  
Normanton Ind Est, Normanton, West Yorkshire. WF6 1TN

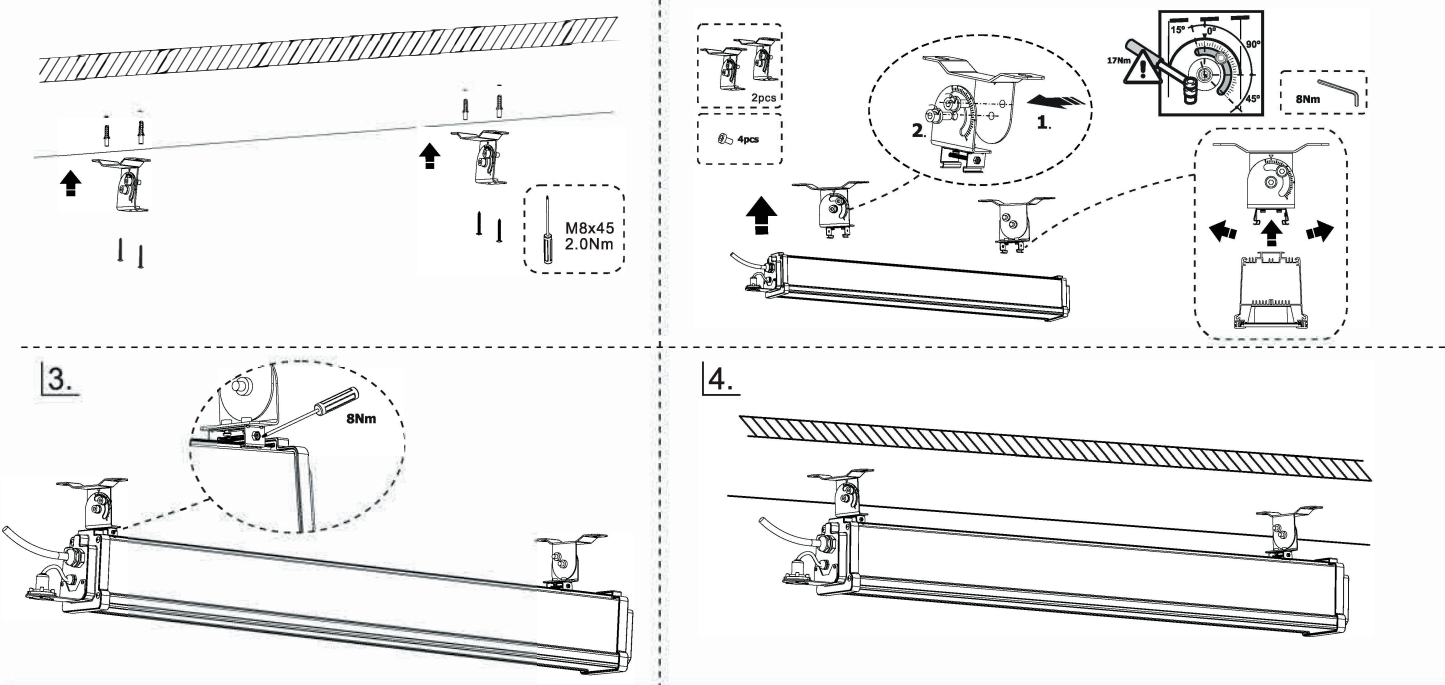
T: +44 (0)1924 893380 F: +44 (0)1924 894320 E: sales@bellighting.co.uk

Read these instructions before installation and retain for future reference. This equipment should be installed by a competent electrician

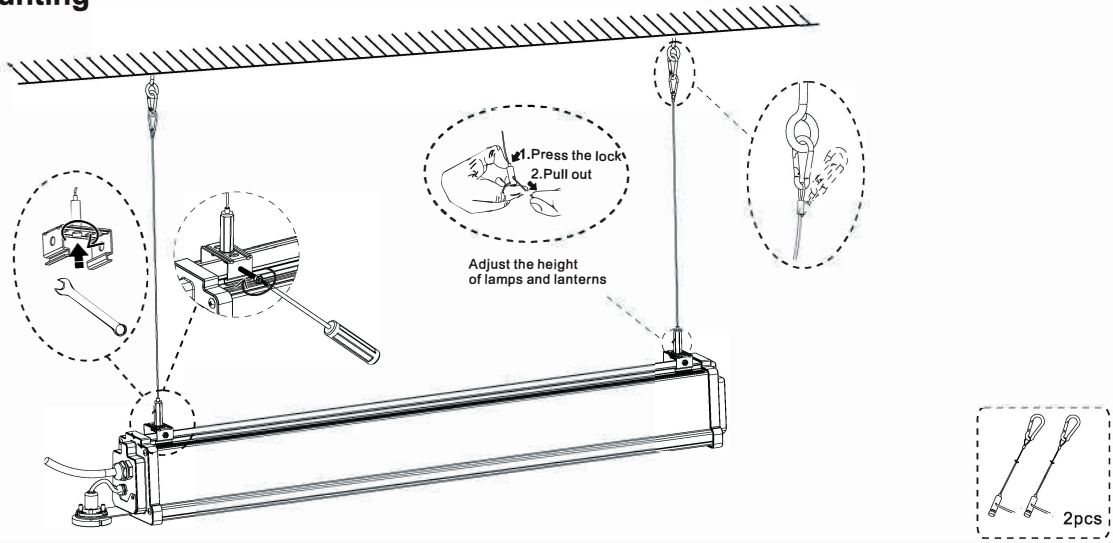
**Important Information**

We recommend that luminaires are installed by a qualified electrician ensuring the installation complies with current IEE wiring regulations BS7671:2018 & local building control.

- BELL will not accept responsibility for any claims arising from a poor installation.
- The light source of this luminaire is not replaceable: when the light source reaches end of life, the whole luminaire must be replaced.
- Always switch off mains supply before installing.



**C.Suspension mounting**



L	brown	black
N	blue	white
⊕ GND	yellow/green	green

•if the external flexible cable or cord of this luminaire is damaged, it shall be exclusively replaced by the manufacturer or his service agent or a similar qualified person in order to avoid a hazard.

Technical Helpline +44 (0)1924 893380

[www.bellighting.co.uk](http://www.bellighting.co.uk)

British Electric Lamps Ltd, Unit A Foxbridge Way  
 Normanton Ind Est, Normanton, West Yorkshire. WF6 1TN  
 T: +44 (0)1924 893380 F: +44 (0)1924 894320 E: sales@bellighting.co.uk